

 > MADE IN GERMANY

POWERFUL SOLUTIONS –
PASSIONATE PEOPLE



KALTENBACH

RANGE OF TOOLS

Saw blades

RANGE OF TOOLS SAW BLADES

Productivity and quality are always results of optimally coordinated machines and tools. So rely on the original high-tech tools from KALTENBACH and profit from highest precision, best surface quality and maximum saw-power.

This tool catalogue comprises original KALTENBACH saw blades for every circular-saw.

In addition to this, there are also other tool catalogues for band saws and drilling machines.

You can find more information about tools on our website at: www.kaltenbach.com

CONTENT

Saw blades - Carbide

▶ TL 250 / 350 / 450	4
▶ SKL 400 / 450	4
▶ RKL 550 / 551	5
▶ KMR 100 AP	5

▶ MSK 471	6
-----------	---

Saw blades - HSS

▶ KKS 370	7
▶ KKS 400	8
▶ KKS 401 / 450 / 451 + RKS 450 / 451	10
▶ KKS 463	15
▶ RKT 630 / 631 / 760	18
▶ HDM 911 / 1000 / 1020	19
▶ HDM 1300 - 1311	20
▶ HDM 1400 - 1432	20

▶ Saw blade-Types	21
-------------------	----

RANGE TL + RANGE SKL

TL 250

Carbide-Saw blade, D=250, ALU-Polish *5

diameter	cut width	teeth quantity	saw blade-typ **	polish	qty x d1/d2 x d	order-no.
Ø 250	3.2	40	HM	für AL	4 x 9/50 x 32	8-9025-25400
	3.2	60	HM	für AL	4 x 9/50 x 32	8-9025-25600

TL 350

Carbide-Saw blade, D=350, ALU-Polish *5

diameter	cut width	teeth quantity	saw blade-typ **	polish	qty x d1/d2 x d	order-no.
Ø 350	3.2	84	HM	für AL	4 x 15/80 x 50	8-9025-35840
	3.2	96	HM	für AL	4 x 15/80 x 50	8-9025-359600
	3.2	108	HM	für AL	4 x 15/80 x 50	8-9025-350810

TL 450

Carbide-Saw blade, D=450, ALU-Polish *5

diameter	cut width	teeth quantity	saw blade-typ **	polish	qty x d1/d2 x d	order-no.
Ø 450	4	80	HM	für AL	4 x 15/80 x 50	8-9025-458001
	3.8	108	HM	für AL	4 x 15/80 x 50	8-9025-450810

SKL 400

Carbide-Saw blade, D=370, ALU-Polish *5

diameter	cut width	teeth quantity	saw blade-typ **	polish	qty x d1/d2 x d	order-no.
Ø 370	3.2 / 3.6	60	HM	für AL	4 x 15/80 x 50	8-9025-37600
	3.8	84	HM	für AL	4 x 15/80 x 50	8-9025-37840

Carbide-Saw blade, D=400, ALU-Polish *5

diameter	cut width	teeth quantity	saw blade-typ **	polish	qty x d1/d2 x d	order-no.
Ø 400	3.8	66	HM	für AL	4 x 15/80 x 50	8-9025-40660
	3.8	96	HM	für AL	4 x 15/80 x 50	8-9025-409600
	3.6	120	HM	für AL	4 x 15/80 x 50	8-9025-40120

Carbide-Saw blade, D=400, ALU-Polish *5

diameter	cut width	teeth quantity	saw blade-typ **	polish	qty x d1/d2 x d	order-no.
Ø 400	3.8	66	HM	für AL	4 x 15/80 x 50	8-9025-40660
	3.8	96	HM	für AL	4 x 15/80 x 50	8-9025-409600
	3.6	120	HM	für AL	4 x 15/80 x 50	8-9025-40120

Carbide-Saw blade, D=450, ALU-Polish *5

diameter	cut width	teeth quantity	saw blade-typ **	polish	qty x d1/d2 x d	order-no.
Ø 450	4	80	HM	für AL	4 x 15/80 x 50	8-9025-458001
	3.8	108	HM	für AL	4 x 15/80 x 50	8-9025-450810

RANGE RKL + KMR 100 AP

Carbide-Saw blade, D=500, ALU-Polish *5

diameter	cut width	teeth quantity	saw blade-typ **	polish	qty x d1/d2 x d	order-no.
Ø 500	4	80	HM	für AL	4 x 15/80 x 50	8-9025-50800
	4	120	HM	für AL	4 x 15/80 x 50	8-9025-501200

Carbide-Saw blade, D=550, ALU-Polish *5

diameter	cut width	teeth quantity	saw blade-typ **	polish	qty x d1/d2 x d	order-no.
Ø 550	4	96	HM	für AL	4 x 15/80 x 50	8-9025-559600

Carbide-Saw blade, D=560, ALU-Polish *5

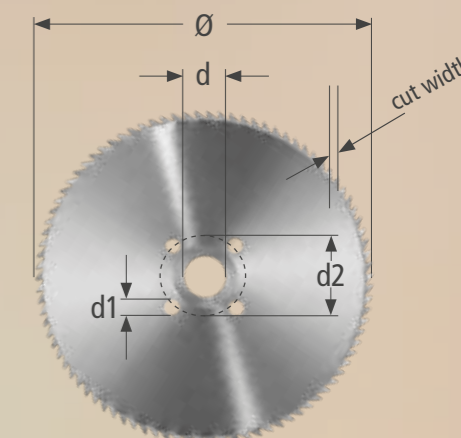
diameter	cut width	teeth quantity	saw blade-typ **	polish	qty x d1/d2 x d	order-no.
Ø 550	4.4	96	HM	für AL	4 x 15/80 x 50	8-9025-569600

Carbide-Saw blade, D=360, for steel *5

diameter	cut width	teeth quantity	saw blade-typ **	polish	qty x d1/d2 x d	order-no.
Ø 360 thin section	2.6	60	HM	Standard	4 x 16/80 x 50	8-9026-366002
	2.5	80	HM	Standard	4 x 16/80 x 50	8-9026-368002
	2.5	100	HM	Standard	4 x 16/80 x 50	8-9026-360012

RKL 550/
551

KMR 100
AP



** saw blade-types: VST = solid steel, HM = carbide, SEG = segment saw blade HSS

MSK 471

KKS 370

MSK 471

KKS 370

Solid steel-Saw blade HSS, D=460 *1						
diameter	cut width	teeth quantity	saw blade-typ **	polish	qty x d1/d2 x d	order-no.
Ø 460	4	108	VST HSS CN	Standard	4 x 15/80 x 50	8-9021-461084

Solid steel-Saw blade HSS, PERFORMANCE, D=460 *4						
diameter	cut width	teeth quantity	saw blade-typ **	polish	qty x d1/d2 x d	order-no.
Ø 460	3	160	VST PER	Standard	4 x 15/80 x 50	8-9024-461600

Carbide-Saw blade for unalloyed materials, D=460 *5						
diameter	cut width	teeth quantity	saw blade-typ **	polish	qty x d1/d2 x d	order-no.
Ø 460	2.7 / 2.25	40	HM	Standard	4 x 14/80 x 50	8-9026-464005
	2.7 / 2.25	60	HM	Standard	4 x 14/80 x 50	8-9026-466005

Carbide-Saw blade for steel, D=460 *5						
diameter	cut width	teeth quantity	saw blade-typ **	polish	qty x d1/d2 x d	order-no.
Ø 460	2.7 / 2.25	40	HM	Standard	4 x 15/80 x 50	8-9026-464006
	2.7 / 2.25	60	HM	Standard	4 x 15/80 x 50	8-9026-466006
	2.7 / 2.25	80	HM	Standard	4 x 15/80 x 50	8-9026-468006
	2.7 / 2.25	100	HM	Standard	4 x 15/80 x 50	8-9026-460016

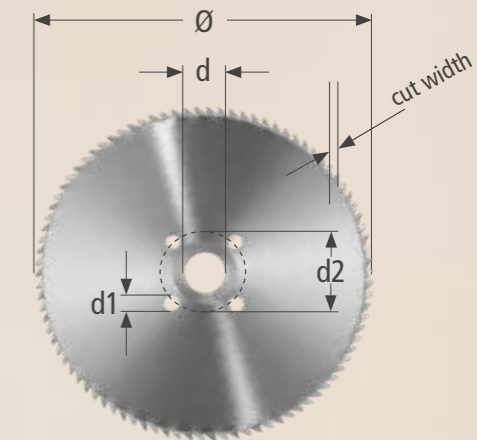
Segment-Saw blade HSS, D=460 *6						
diameter	cut width	teeth quantity	saw blade-typ **	polish	qty x d1/d2 x d	order-no.
Ø 460	4.7	5	SEG HSS	Standard	4 x 15/80 x 50	8-9330-460500
	4.7	6	SEG HSS	Standard	4 x 15/80 x 50	8-9330-460600

Solid steel-Saw blade HSS, D=350 *1						
diameter	cut width	teeth quantity	saw blade-typ **	polish	qty x d1/d2 x d	order-no.
Ø 350	3	80	VST HSS CN	Standard	4 x 15/80 x 50	8-9021-35081
	3	100	VST HSS CN	Standard	4 x 15/80 x 50	8-9021-35101
	3	120	VST HSS CN	Standard	4 x 15/80 x 50	8-9021-35121
	3	160	VST HSS CN	Standard	4 x 15/80 x 50	8-9021-35161
	3	220	VST HSS CN	Standard	4 x 15/80 x 50	8-9021-35221

Solid steel-Saw blade HSS, D=370 *1						
diameter	cut width	teeth quantity	saw blade-typ **	polish	qty x d1/d2 x d	order-no.
Ø 370	3	60	VST HSS CN	Standard	4 x 15/80 x 50	8-9021-37060
	3	80	VST HSS CN	Standard	4 x 15/80 x 50	8-9021-37080
	3	100	VST HSS CN	Standard	4 x 15/80 x 50	8-9021-37100
	3	120	VST HSS CN	Standard	4 x 15/80 x 50	8-9021-37120
	3	160	VST HSS CN	Standard	4 x 15/80 x 50	8-9021-37160
	3	160	VST HSS E	VA	4 x 15/80 x 50	8-9021-37160/VA
	3	220	VST HSS CN	Standard	4 x 15/80 x 50	8-9021-37220

Solid steel-Saw blade HSS, TIN-coated, D=370 *2						
diameter	cut width	teeth quantity	saw blade-typ **	polish	qty x d1/d2 x d	order-no.
Ø 370	3.6	80	VSt HSS CN TIN	Standard	4 x 15/80 x 50	8-9022-370803
	4	80	VSt Hss CN TIN	Standard	4 x 15/80 x 50	8-9022-370804

Segment-Saw blade HSS, D=370 *6						
diameter	cut width	teeth quantity	saw blade-typ **	polish	qty x d1/d2 x d	order-no.
Ø 370	3.6	4	SEG HSS	Standard	4 x 15/80 x 50	8-9330-370400
	3.6	5	SEG HSS	Standard	4 x 15/80 x 50	8-9330-370500
	3.6	6	SEG HSS	Standard	4 x 15/80 x 50	8-9330-370600
	3.6	8	SEG HSS	Standard	4 x 15/80 x 50	8-9330-370800



** saw blade-types: VST = solid steel, HM = carbide, SEG = segment saw blade HSS

KKS 400

KKS 400

Solid steel-Saw blade HSS, D=400 *1

diameter	cut width	teeth quantity	saw blade-typ **	polish	qty x d1/d2 x d	order-no.
Ø 400	3.5	60	VST HSS CN	Standard	4 x 15/80 x 50	8-9021-40060
	3.5	80	VST HSS CN	Standard	4 x 15/80 x 50	8-9021-40080
	3.5	100	VST HSS CN	Standard	4 x 15/80 x 50	8-9021-40100
	3.5	120	VST HSS CN	Standard	4 x 15/80 x 50	8-9021-40120
	3.5	160	VST HSS CN	Standard	4 x 15/80 x 50	8-9021-40160
	3.5	220	VST HSS CN	Standard	4 x 15/80 x 50	8-9021-40220

Solid steel-Saw blade HSS, D=400 *1

diameter	cut width	teeth quantity	saw blade-typ **	polish	qty x d1/d2 x d	order-no.
Ø 400	4	80	VST HSS CN	Standard	4 x 15/80 x 50	8-9021-400804
	4	100	VST HSS CN	Standard	4 x 15/80 x 50	8-9021-401004
	4	120	VST HSS CN	Standard	4 x 15/80 x 50	8-9021-401204
	4	220	VST HSS CN	Standard	4 x 15/80 x 50	8-9021-402204

Solid steel-Saw blade HSS, POWER 2000, D=400 *3

diameter	cut width	teeth quantity	saw blade-typ **	polish	qty x d1/d2 x d	order-no.
Ø 400	2.2	120	VST POW	Standard	4 x 15/80 x 50	8-9023-401200
	2.2	160	VST POW	Standard	4 x 15/80 x 50	8-9023-401600
	2.2	220	VST POW	Standard	4 x 15/80 x 50	8-9023-402200

Solid steel-Saw blade HSS, PERFORMANCE, D=400 *4

diameter	cut width	teeth quantity	saw blade-typ **	polish	qty x d1/d2 x d	order-no.
Ø 400	3	100	VST PER	Standard	4 x 15/80 x 50	8-9024-401000
	3	120	VST PER	Standard	4 x 15/80 x 50	8-9024-401200
	3	140	VST PER	Standard	4 x 15/80 x 50	8-9024-401400
	3	160	VST PER	Standard	4 x 15/80 x 50	8-9024-401600
	3	220	VST PER	Standard	4 x 15/80 x 50	8-9024-402200

Solid steel-Saw blade HSS, TIN-coated, D=400 *2

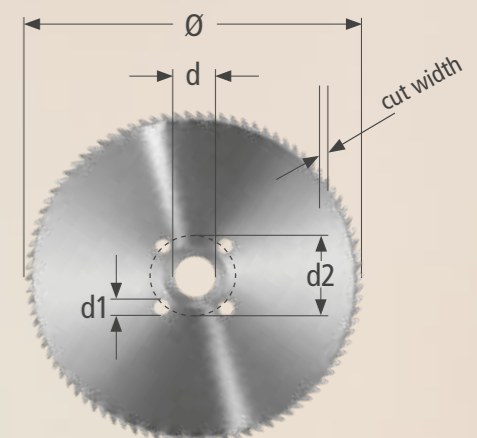
diameter	cut width	teeth quantity	saw blade-typ **	polish	qty x d1/d2 x d	order-no.
Ø 400	4	60	VST HSS CN TIN	Standard	4 x 15/80 x 50	8-9022-400604
	4	80	VST HSS CN TIN	Standard	4 x 15/80 x 50	8-9022-400804
	4	100	VST HSS CN TIN	Standard	4 x 15/80 x 50	8-9022-401004
	4	120	VST HSS CN TIN	Standard	4 x 15/80 x 50	8-9022-401204
	3.5	220	VST HSS CN TIN	Standard	4 x 15/80 x 50	8-9022-402203

Segment-Saw blade HSS, D=400 *6

diameter	cut width	teeth quantity	saw blade-typ **	polish	qty x d1/d2 x d	order-no.
Ø 400	4	4	SEG HSS	Standard	4 x 15/80 x 50	8-9330-400400
	4	5	SEG HSS	Standard	4 x 15/80 x 50	8-9330-400500
	4	6	SEG HSS	Standard	4 x 15/80 x 50	8-9330-400600
	4	8	SEG HSS	Standard	4 x 15/80 x 50	8-9330-400800
	4	10	SEG HSS	Standard	4 x 15/80 x 50	8-9330-401000

KKS 400

KKS 400



** saw blade-types: VST = solid steel, HM = carbide, SEG = segment saw blade HSS

KKS 401 / 450 / 451 + RKS 450 / 451

KKS 401 / 450 / 451 + RKS 450 / 451

KKS 401 / 450 / 451
RKS 450 / 451

KKS 401 / 450 / 451
RKS 450 / 451

Solid steel-Saw blade HSS *1						
diameter	cut width	teeth quantity	saw blade-typ **	polish	qty x d1/d2 x d	order-no.
Ø 400	3,5	60	VST HSS CN	Standard	4 x 15/80 x 50	8-9021-40060
	3,5	80	VST HSS CN	Standard	4 x 15/80 x 50	8-9021-40080
	3,5	100	VST HSS CN	Standard	4 x 15/80 x 50	8-9021-40100
	3,5	120	VST HSS CN	Standard	4 x 15/80 x 50	8-9021-40120
	3,5	160	VST HSS CN	Standard	4 x 15/80 x 50	8-9021-40160
	3,5	220	VST HSS CN	Standard	4 x 15/80 x 50	8-9021-40220

Solid steel-Saw blade HSS-E *1 + *8						
diameter	cut width	teeth quantity	saw blade-typ **	polish	qty x d1/d2 x d	order-no.
Ø 400	3,5	80	VST HSS E	VA	4 x 15/80 x 50	8-9021-40080/VA
	3,5	100	VST HSS E	VA	4 x 15/80 x 50	8-9021-40100/VA
	3,5	120	VST HSS E	VA	4 x 15/80 x 50	8-9021-40120/VA
	3,5	160	VST HSS E	VA	4 x 15/80 x 50	8-9021-40160/VA
	3,5	220	VST HSS E	VA	4 x 15/80 x 50	8-9021-40220/VA

Solid steel-Saw blade HSS *1						
diameter	cut width	teeth quantity	saw blade-typ **	polish	qty x d1/d2 x d	order-no.
Ø 400	4	80	VST HSS CN	Standard	4 x 15/80 x 50	8-9021-400804
	4	100	VST HSS CN	Standard	4 x 15/80 x 50	8-9021-401004
	4	120	VST HSS CN	Standard	4 x 15/80 x 50	8-9021-401204
	4	220	VST HSS CN	Standard	4 x 15/80 x 50	8-9021-402204

Solid steel-Saw blade HSS-E *1 + *8						
diameter	cut width	teeth quantity	saw blade-typ **	polish	qty x d1/d2 x d	order-no.
Ø 400	4	80	VST HSS CN	VA	4 x 15/80 x 50	8-9021-400804/VA
	4	100	VST HSS CN	VA	4 x 15/80 x 50	8-9021-101004/VA
	4	120	VST HSS CN	VA	4 x 15/80 x 50	8-9021-401204/VA
	4	220	VST HSS CN	VA	4 x 15/80 x 50	8-9021-402204/VA

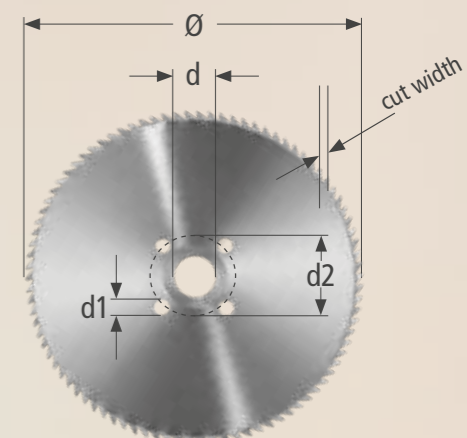
Solid steel-Saw blade HSS, POWER 2000 *3 (+ 1x *8)						
diameter	cut width	teeth quantity	saw blade-typ **	polish	qty x d1/d2 x d	order-no.
Ø 400	2,2	120	VST POW	Standard	4 x 15/80 x 50	8-9023-401200
	2,2	160	VST POW	Standard	4 x 15/80 x 50	8-9023-401600
	2,2	220	VST POW	Standard	4 x 15/80 x 50	8-9023-402200
	2,2	200	VST POW	VA	4 x 15/80 x 50	8-9023-402200/VA

Solid steel-Saw blade HSS, PERFORMANCE *4						
diameter	cut width	teeth quantity	saw blade-typ **	polish	qty x d1/d2 x d	order-no.
Ø 400	3	100	VST PER	Standard	4 x 15/80 x 50	8-9024-401000
	3	120	VST PER	Standard	4 x 15/80 x 50	8-9024-401200
	3	140	VST PER	Standard	4 x 15/80 x 50	8-9024-401400
	3	160	VST PER	Standard	4 x 15/80 x 50	8-9024-401600
	3	220	VST PER	Standard	4 x 15/80 x 50	8-9024-402200

Solid steel-Saw blade HSS-VA, PERFORMANCE *4 + *8						
diameter	cut width	teeth quantity	saw blade-typ **	polish	qty x d1/d2 x d	order-no.
Ø 400	3	120	VST PER	VA	4 x 15/80 x 50	8-9024-401200/S1
	3	160	VST PER	VA	4 x 15/80 x 50	8-9024-401600/S1
	3	220	VST PER	VA	4 x 15/80 x 50	8-9024-402200/S1

Solid steel-Saw blade HSS, TIN-beschichtet *2						
diameter	cut width	teeth quantity	saw blade-typ **	polish	qty x d1/d2 x d	order-no.
Ø 400	4	60	VST HSS CN TIN	Standard	4 x 15/80 x 50	8-9022-400604
	4	80	VST HSS CN TIN	Standard	4 x 15/80 x 50	8-9022-400804
	4	100	VST HSS CN TIN	Standard	4 x 15/80 x 50	8-9022-401004
	4	120	VST HSS CN TIN	Standard	4 x 15/80 x 50	8-9022-401204
	3,5	220	VST HSS CN TIN	Standard	4 x 15/80 x 50	8-9022-402203

Solid steel-Saw blade HSS-VA, TIN-beschichtet *2 + *8						
diameter	cut width	teeth quantity	saw blade-typ **	polish	qty x d1/d2 x d	order-no.
Ø 400	4	80	VST HSS CN TIN	VA	4 x 15/80 x 50	8-9022-400804/S1
	4	100	VST HSS CN TIN	VA	4 x 15/80 x 50	8-9022-401004/VA
	4	120	VST HSS CN TIN	VA	4 x 15/80 x 50	8-9022-401204-S1
	4	160	VST HSS CN TIN	VA	4 x 15/80 x 50	8-9022-401604-S1



** saw blade-types: VST = solid steel, HM = carbide, SEG = segment saw blade HSS

KKS 401 / 450 / 451 + RKS 450 / 451

KKS 401 / 450 / 451 + RKS 450 / 451

Segment-Saw blade HSS *6

diameter	cut width	teeth quantity	saw blade-typ **	polish	qty x d1/d2 x d	order-no.
Ø 400	4	4	SEG HSS	Standard	4 x 15/80 x 50	8-9330-400400
	4	5	SEG HSS	Standard	4 x 15/80 x 50	8-9330-400500
	4	6	SEG HSS	Standard	4 x 15/80 x 50	8-9330-400600
	4	8	SEG HSS	Standard	4 x 15/80 x 50	8-9330-400800
	4	10	SEG HSS	Standard	4 x 15/80 x 50	8-9330-401000

Segment-Saw blade HSS-VA *6 + *8

diameter	cut width	teeth quantity	saw blade-typ **	polish	qty x d1/d2 x d	order-no.
Ø 400	4	4	SEG HSS	VA	4 x 15/80 x 50	8-9330-400400/S1
	4	5	SEG HSS	VA	4 x 15/80 x 50	8-9330-400500/S1
	4	6	SEG HSS	VA	4 x 15/80 x 50	8-9330-400600/S1
	4	8	SEG HSS	VA	4 x 15/80 x 50	8-9330-400800/S1
	4	10	SEG HSS	VA	4 x 15/80 x 50	8-9330-401000/S1

Segment-Saw blade HSS *6

diameter	cut width	teeth quantity	saw blade-typ **	polish	qty x d1/d2 x d	order-no.
Ø425	4	4	SEG HSS	Standard	4 x 15/80 x 50	8-9330-420405
	4	5	SEG HSS	Standard	4 x 15/80 x 50	8-9330-420505
	4	6	SEG HSS	Standard	4 x 15/80 x 50	8-9330-420605
	4	8	SEG HSS	Standard	4 x 15/80 x 50	8-9330-420805
	4	10	SEG HSS	Standard	4 x 15/80 x 50	8-9330-421005
	4	12	SEG HSS	Standard	4 x 15/80 x 50	8-9330-421205

Solid steel-Saw blade HSS *1

diameter	cut width	teeth quantity	saw blade-typ **	polish	qty x d1/d2 x d	order-no.
Ø 450	4	80	VST HSS CN	Standard	4 x 15/80 x 50	8-9021-45080
	4	100	VST HSS CN	Standard	4 x 15/80 x 50	8-9021-45100
	4	120	VST HSS CN	Standard	4 x 15/80 x 50	8-9021-451204
	4	160	VST HSS CN	Standard	4 x 15/80 x 50	8-9021-451604
	4	240	VST HSS CN	Standard	4 x 15/80 x 50	8-9021-452405

Solid steel-Saw blade HSS-VA *1 + *8

diameter	cut width	teeth quantity	saw blade-typ**	polish	qty x d1/d2 x d	order-no.
Ø 450	4	80	VST HSS CN	VA	4 x 15/80 x 50	8-9021-45080/VA
	4	100	VST HSS CN	VA	4 x 15/80 x 50	8-9021-45100/VA
	4	120	VST HSS CN	VA	4 x 15/80 x 50	8-9021-451204/VA
	4	160	VST HSS CN	VA	4 x 15/80 x 50	8-9021-451604/VA

Solid steel-Saw blade HSS, POWER 2000 *3 (+1x *8)

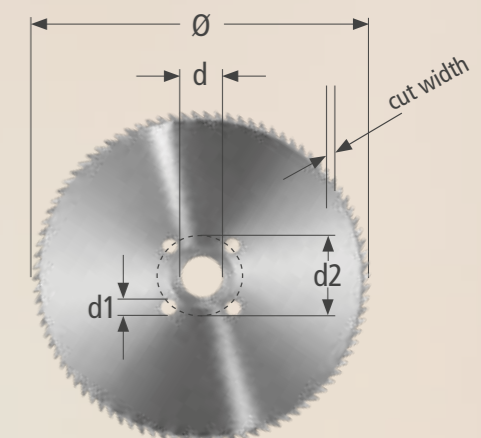
diameter	cut width	teeth quantity	saw blade-typ **	polish	qty x d1/d2 x d	order-no.
Ø 450	2,5	160	VST POW	Standard	4 x 15/80 x 50	8-9023-451600
	2,5	220	VST POW	Standard	4 x 15/80 x 50	8-9023-452200
	2,5	280	VST POW	Standard	4 x 15/80 x 50	8-9023-452800
	2,5	220	VST POW	VA	4 x 15/80 x 50	8-9023-452200/S1

Solid steel-Saw blade HSS, PERFORMANCE*4 (+1x *8)

diameter	cut width	teeth quantity	saw blade-typ **	polish	qty x d1/d2 x d	order-no.
Ø 450	3	100	VST PER	Standard	4 x 15/80 x 50	8-9024-451000
	3	120	VST PER	Standard	4 x 15/80 x 50	8-9024-451200
	3	160	VST PER	Standard	4 x 15/80 x 50	8-9024-451600
	3	220	VST PER	Standard	4 x 15/80 x 50	8-9024-452200
	3	160	VST PER	VA	4 x 15/80 x 50	8-9024-451600/S1

Solid steel-Saw blade HSS, TIN-beschichtet *2 (+1x *8)

diameter	cut width	teeth quantity	saw blade-typ **	polish	qty x d1/d2 x d	order-no.
Ø 450	4	60	VST HSS CN TIN	Standard	4 x 15/80 x 50	8-9022-450064
	4	80	VST HSS CN TIN	Standard	4 x 15/80 x 50	8-9022-450084
	4	100	VST HSS CN TIN	Standard	4 x 15/80 x 50	8-9022-450104
	4	120	VST HSS CN TIN	Standard	4 x 15/80 x 50	8-9022-450124
	4	160	VST HSS CN TIN	Standard	4 x 15/80 x 50	8-9022-450164
	4	120	VST HSS CN TIN	VA	4 x 15/80 x 50	8-9022-450124/S1
	4	120	VST HSS CN TIN	VA	4 x 15/80 x 50	8-9022-450124/S1



** saw blade-types: VST = solid steel, HM = carbide, SEG = segment saw blade HSS

KKS 401 / 450 / 451
RKS 450 / 451

KKS 401 / 450 / 451
RKS 450 / 451

KKS 401 / 450 / 451 + RKS 450 / 451

KKS 463

KKS 401 / 450 / 451
RKS 450 / 451

KKS 463

Segment-Saw blade HSS *6						
diameter	cut width	teeth quantity	saw blade-typ **	polish	qty x d1/d2 x d	order-no.
Ø 450	4	4	SEG HSS	Standard	4 x 15/80 x 50	8-9330-450400
	4	5	SEG HSS	Standard	4 x 15/80 x 50	8-9330-450500
	4	6	SEG HSS	Standard	4 x 15/80 x 50	8-9330-450600
	4	8	SEG HSS	Standard	4 x 15/80 x 50	8-9330-450800
	4	10	SEG HSS	Standard	4 x 15/80 x 50	8-9330-451000
	4	12	SEG HSS	Standard	4 x 15/80 x 50	8-9330-451200

Segment-Saw blade HSS-VA *6 + *8						
diameter	cut width	teeth quantity	saw blade-typ **	polish	qty x d1/d2 x d	order-no.
Ø 450	4	5	SEG HSS	VA	4 x 15/80 x 50	8-9330-450500/S1
	4	6	SEG HSS	VA	4 x 15/80 x 50	8-9330-450600/S1
	4	8	SEG HSS	VA	4 x 15/80 x 50	8-9330-450800/S1

Segment-Saw blade HSS, TIN-beschichtet *7						
diameter	cut width	teeth quantity	saw blade-typ**	polish	qty x d1/d2 x d	order-no.
Ø 450	4	4	SEG HSS TIN	Standard	4 x 15/80 x 50	8-9332-450400
	4	5	SEG HSS TIN	Standard	4 x 15/80 x 50	8-9332-450500
	4	6	SEG HSS TIN	Standard	4 x 15/80 x 50	8-9332-450600

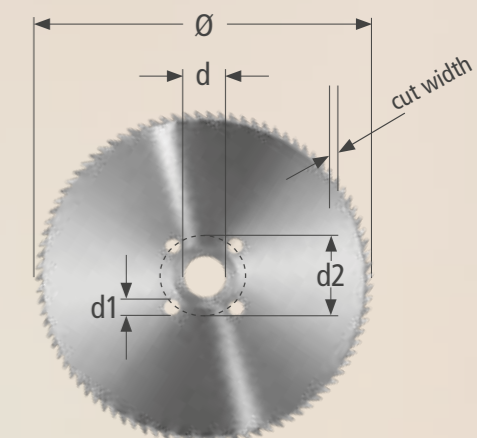
Segment-Saw blade HSS, TIN-beschichtet *7 + *8						
diameter	cut width	teeth quantity	saw blade-typ**	polish	qty x d1/d2 x d	order-no.
Ø 450	4	5	SEG HSS TIN	VA	4 x 15/80 x 50	8-9332-450500/S1
	4	6	SEG HSS TIN	VA	4 x 15/80 x 50	8-9332-450600/S1

Solid steel-Saw blade HSS *1						
diameter	cut width	teeth quantity	saw blade-typ **	polish	qty x d1/d2 x d	order-no.
Ø 400	3,5	60	VST HSS CN	Standard	4 x 15/80 x 50	8-9021-40060
	3,5	80	VST HSS CN	Standard	4 x 15/80 x 50	8-9021-40080
	3,5	100	VST HSS CN	Standard	4 x 15/80 x 50	8-9021-40100
	3,5	120	VST HSS CN	Standard	4 x 15/80 x 50	8-9021-40120
	3,5	160	VST HSS CN	Standard	4 x 15/80 x 50	8-9021-40160
	3,5	220	VST HSS CN	Standard	4 x 15/80 x 50	8-9021-40220

Solid steel-Saw blade HSS *1						
diameter	cut width	teeth quantity	saw blade-typ **	polish	qty x d1/d2 x d	order-no.
Ø 400	4	80	VST HSS CN	Standard	4 x 15/80 x 50	8-9021-400804
	4	100	VST HSS CN	Standard	4 x 15/80 x 50	8-9021-401004
	4	120	VST HSS CN	Standard	4 x 15/80 x 50	8-9021-401204
	4	220	VST HSS CN	Standard	4 x 15/80 x 50	8-9021-402204

VSolid steel-Saw blade HSS, POWER 2000 *3						
diameter	cut width	teeth quantity	saw blade-typ **	polish	qty x d1/d2 x d	order-no.
Ø 400	2,2	120	VST POW	Standard	4 x 15/80 x 50	8-9023-401200
	2,2	160	VST POW	Standard	4 x 15/80 x 50	8-9023-401600
	2,2	220	VST POW	Standard	4 x 15/80 x 50	8-9023-402200

Solid steel-Saw blade HSS, PERFORMANCE *4						
diameter	cut width	teeth quantity	saw blade-typ **	polish	qty x d1/d2 x d	order-no.
Ø 400	3	100	VST PER	Standard	4 x 15/80 x 50	8-9024-401000
	3	120	VST PER	Standard	4 x 15/80 x 50	8-9024-401200
	3	140	VST PER	Standard	4 x 15/80 x 50	8-9024-401400
	3	160	VST PER	Standard	4 x 15/80 x 50	8-9024-401600
	3	220	VST PER	Standard	4 x 15/80 x 50	8-9024-402200



** saw blade-types: VST = solid steel, HM = carbide, SEG = segment saw blade HSS

KKS 463

Solid steel-Saw blade HSS, TIN-beschichtet *2

diameter	cut width	teeth quantity	saw blade-typ **	polish	qty x d1/d2 x d	order-no.
Ø 400	4	60	VST HSS CN TIN	Standard	4 x 15/80 x 50	8-9022-400604
	4	80	VST HSS CN TIN	Standard	4 x 15/80 x 50	8-9022-400804
	4	100	VST HSS CN TIN	Standard	4 x 15/80 x 50	8-9022-401004
	4	120	VST HSS CN TIN	Standard	4 x 15/80 x 50	8-9022-401204
	3,5	220	VST HSS CN TIN	Standard	4 x 15/80 x 50	8-9022-402203

Segment-Saw blade HSS *6

diameter	cut width	teeth quantity	saw blade-typ **	polish	qty x d1/d2 x d	order-no.
Ø 400	4	4	SEG HSS	Standard	4 x 15/80 x 50	8-9330-400400
	4	5	SEG HSS	Standard	4 x 15/80 x 50	8-9330-400500
	4	6	SEG HSS	Standard	4 x 15/80 x 50	8-9330-400600
	4	8	SEG HSS	Standard	4 x 15/80 x 50	8-9330-400800
	4	10	SEG HSS	Standard	4 x 15/80 x 50	8-9330-401000

Solid steel-Saw blade HSS *1

diameter	cut width	teeth quantity	saw blade-typ **	polish	qty x d1/d2 x d	order-no.
Ø 450	4	80	VST HSS CN	Standard	4 x 15/80 x 50	8-9021-45080
	4	100	VST HSS CN	Standard	4 x 15/80 x 50	8-9021-45100
	4	120	VST HSS CN	Standard	4 x 15/80 x 50	8-9021-451204
	4	160	VST HSS CN	Standard	4 x 15/80 x 50	8-9021-451604
	4	240	VST HSS CN	Standard	4 x 15/80 x 50	8-9021-452405

Solid steel-Saw blade HSS, POWER 2000 *3

diameter	cut width	teeth quantity	saw blade-typ **	polish	qty x d1/d2 x d	order-no.
Ø 450	2,5	160	VST POW	Standard	4 x 15/80 x 50	8-9023-451600
	2,5	220	VST POW	Standard	4 x 15/80 x 50	8-9023-452200
	2,5	280	VST POW	Standard	4 x 15/80 x 50	8-9023-452800

Solid steel-Saw blade HSS, PERFORMANCE *4

diameter	cut width	teeth quantity	saw blade-typ **	polish	qty x d1/d2 x d	order-no.
Ø 450	3	100	VST PER	Standard	4 x 15/80 x 50	8-9024-451000
	3	120	VST PER	Standard	4 x 15/80 x 50	8-9024-451200
	3	160	VST PER	Standard	4 x 15/80 x 50	8-9024-451600
	3	220	VST PER	Standard	4 x 15/80 x 50	8-9024-452200

Segment-Saw blade HSS, TIN-beschichtet *7

diameter	cut width	teeth quantity	saw blade-typ **	polish	qty x d1/d2 x d	order-no.
Ø 450	4	4	SEG HSS TIN	Standard	4 x 15/80 x 50	8-9332-450400
	4	5	SEG HSS TIN	Standard	4 x 15/80 x 50	8-9332-450500
	4	6	SEG HSS TIN	Standard	4 x 15/80 x 50	8-9332-450600

KKS 463

Solid steel-Saw blade HSS, TIN-beschichtet *2

diameter	cut width	teeth quantity	saw blade-typ **	polish	qty x d1/d2 x d	order-no.
Ø 450	4	60	VST HSS CN TIN	Standard	4 x 15/80 x 50	8-9022-450064
	4	80	VST HSS CN TIN	Standard	4 x 15/80 x 50	8-9022-450084
	4	100	VST HSS CN TIN	Standard	4 x 15/80 x 50	8-9022-450104
	4	120	VST HSS CN TIN	Standard	4 x 15/80 x 50	8-9022-450124
	4	160	VST HSS CN TIN	Standard	4 x 15/80 x 50	8-9022-450164

Segment-Saw blade HSS *6

diameter	cut width	teeth quantity	saw blade-typ **	polish	qty x d1/d2 x d	order-no.
Ø 450	4	4	SEG HSS	Standard	4 x 15/80 x 50	8-9330-450400
	4	5	SEG HSS	Standard	4 x 15/80 x 50	8-9330-450500
	4	6	SEG HSS	Standard	4 x 15/80 x 50	8-9330-450600
	4	8	SEG HSS	Standard	4 x 15/80 x 50	8-9330-450800
	4	10	SEG HSS	Standard	4 x 15/80 x 50	8-9330-451000
	4	12	SEG HSS	Standard	4 x 15/80 x 50	8-9330-451200

Solid steel-Saw blade HSS *1

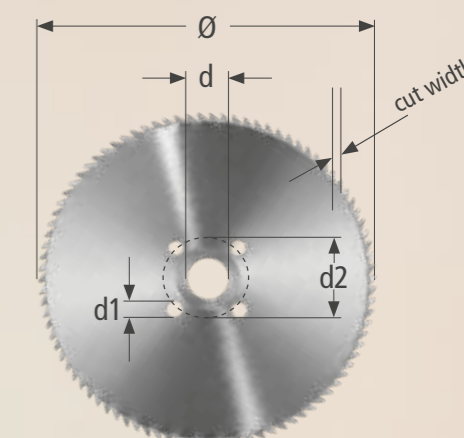
diameter	cut width	teeth quantity	saw blade-typ **	polish	qty x d1/d2 x d	order-no.
Ø 460	4	108	VST HSS CN	Standard	4 x 15/80 x 50	8-9021-461084

Solid steel-Saw blade HSS, PERFORMANCE *4

diameter	cut width	teeth quantity	saw blade-typ **	polish	qty x d1/d2 x d	order-no.
Ø 460	3	160	VST PER	Standard	4 x 15/80 x 50	8-9024-461600

Segment-Saw blade HSS *6

diameter	cut width	teeth quantity	saw blade-typ **	polish	qty x d1/d2 x d	order-no.
Ø 460	4,7	5	SEG HSS	Standard	4 x 15/80 x 50	8-9330-460500
	4,7	6	SEG HSS	Standard	4 x 15/80 x 50	8-9330-460600



** saw blade-types: VST = solid steel, HM = carbide, SEG = segment saw blade HSS

RANGE RKT

RKT 630

Segment-Saw blade HSS *6

diameter	cut width	teeth quantity	saw blade-typ **	polish	qty x d1/d2 x d	order-no.
Ø 630	5	4	SEG HSS	Standard	4 x 22/120 x 80	8-9330-630400
	5	5	SEG HSS	Standard	4 x 22/120 x 80	8-9330-630500
	5	6	SEG HSS	Standard	4 x 22/120 x 80	8-9330-630600
	5	8	SEG HSS	Standard	4 x 22/120 x 80	8-9330-630800

RKT 631

Segment-Saw blade HSS *6

diameter	cut width	teeth quantity	saw blade-typ **	polish	qty x d1/d2 x d	order-no.
Ø 710	6	4	SEG HSS	Standard	4 x 22/120 x 80	8-9330-710400
	6	5	SEG HSS	Standard	4 x 22/120 x 80	8-9330-710500
	6	6	SEG HSS	Standard	4 x 22/120 x 80	8-9330-710600
	6	8	SEG HSS	Standard	4 x 22/120 x 80	8-9330-710800

RKT 760

Segment-Saw blade HSS *6

diameter	cut width	teeth quantity	saw blade-typ **	polish	qty x d1/d2 x d	order-no.
Ø 760	6	4	SEG HSS	Standard	4 x 22/120 x 80	8-9330-760400
	6	5	SEG HSS	Standard	4 x 22/120 x 80	8-9330-760500
	6	6	SEG HSS	Standard	4 x 22/120 x 80	8-9330-760600
	6	8	SEG HSS	Standard	4 x 22/120 x 80	8-9330-760800

RANGE HDM

HDM 911

Segment-Saw blade HSS *6

diameter	cut width	teeth quantity	saw blade-typ **	polish	qty x d1/d2 x d	order-no.
Ø 910	7	3	SEG HSS	Standard	4 x 27/160 x 80	8-9330-910300
	7	4	SEG HSS	Standard	4 x 27/160 x 80	8-9330-910400
	7	5	SEG HSS	Standard	4 x 27/160 x 80	8-9330-910500
	7	6	SEG HSS	Standard	4 x 27/160 x 80	8-9330-910600
	7	8	SEG HSS	Standard	4 x 27/160 x 80	8-9330-910800

HDM 1000

Segment-Saw blade HSS *6

diameter	cut width	teeth quantity	saw blade-typ **	polish	qty x d1/d2 x d	order-no.
Ø 910	7	3	SEG HSS	Standard	4 x 27/160 x 80	8-9330-910300
	7	4	SEG HSS	Standard	4 x 27/160 x 80	8-9330-910400
	7	5	SEG HSS	Standard	4 x 27/160 x 80	8-9330-910500
	7	6	SEG HSS	Standard	4 x 27/160 x 80	8-9330-910600
	7	8	SEG HSS	Standard	4 x 27/160 x 80	8-9330-910800

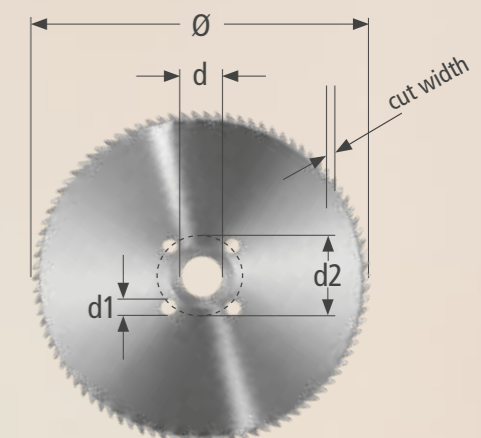
HDM 1020

Segment-Saw blade HSS *6

diameter	cut width	teeth quantity	saw blade-typ **	polish	qty x d1/d2 x d	order-no.
Ø 910	7	3	SEG HSS	Standard	4 x 27/160 x 80	8-9330-910300
	7	4	SEG HSS	Standard	4 x 27/160 x 80	8-9330-910400
	7	5	SEG HSS	Standard	4 x 27/160 x 80	8-9330-910500
	7	6	SEG HSS	Standard	4 x 27/160 x 80	8-9330-910600
	7	8	SEG HSS	Standard	4 x 27/160 x 80	8-9330-910800

Segment-Saw blade HSS *6

diameter	cut width	teeth quantity	saw blade-typ **	polish	qty x d1/d2 x d	order-no.
	8,3	5	SEG HSS	Standard	4 x 30/200 x 100	8-9331-010500
	8,3	6	SEG HSS	Standard	4 x 30/200 x 100	8-9331-010600



** saw blade-types: VST = solid steel, HM = carbide, SEG = segment saw blade HSS

RANGE HDM

SAW BLADE-TYPES

HDM 1300-1311

Segment-Saw blade HSS *6							
diameter	cut width	teeth quantity	saw blade-typ **	polish	qty x d1/d2 x d	order-no.	
Ø 1320	9,3	4	SEG HSS	Standard	4 x 30/250 x 100	8-9331-320400	
	9	5	SEG HSS	Standard	4 x 30/250 x 100	8-9331-320500	
	9,3	6	SEG HSS	Standard	4 x 30/250 x 100	8-9331-320600	

HDM 1400-1432

Segment-Saw blade HSS *6							
diameter	cut width	teeth quantity	saw blade-typ **	polish	qty x d1/d2 x d	order-no.	
Ø 1320	9	4	SEG HSS	Standard	4 x 30/250 x 100	8-9331-320400	
	9	5	SEG HSS	Standard	4 x 30/250 x 100	8-9331-320500	
	9	6	SEG HSS	Standard	4 x 30/250 x 100	8-9331-320600	

Segment-Saw blade HSS *6							
diameter	cut width	teeth quantity	saw blade-typ **	polish	qty x d1/d2 x d	order-no.	
Ø 1430	9,5	3	SEG HSS	Standard	4 x 30/250 x 100	8-9331-430300	
	9,5	4	SEG HSS	Standard	4 x 30/250 x 100	8-9331-430400	
	9,5	5	SEG HSS	Standard	4 x 30/250 x 100	8-9331-430500	
	9,5	6	SEG HSS	Standard	4 x 30/250 x 100	8-9331-430600	
	9,5	8	SEG HSS	Standard	4 x 30/250 x 100	8-9331-430800	

***1 VST HSS CN = Solid steel-Saw blade HSS CN**
 Universal solid steel-saw blade for generally structured steel, gray cast iron, middle NE-metals, tooth shape C, steam treated.

***2 VST HSS CN TIN = Solid steel-Saw blade HSS CN, Tin-coated**
 Specialised for steel tubes and profiles and NE-metals. Substantially higher endurances and feed rates and thereby more efficiency. No material welds. High surface hardness and optimal heat dissipation.

***3 VST POW = Solid steel-Saw blade HSS, Power 2000**
 Ideal for difficult applications like: thin-walled and double-walled tubes. Less noises and vibrations. Much longer endurances. No side-welds anymore, not even for difficult machinable materials. Material savings are between 10 - 15 kg tubes per after-polish by short sections.

***4 VST PER = Solid steel-Saw blade HSS, Performance 2000**
 For profiles. Solid material up to 50 mm intervention extent. Advantages: low feathering, longer endurances than TIN-coated saw blades, material savings, faster cutting rates possible (steel 1000N/mm² up to 30 Mtr/min)

***5 HM = Carbide - Saw blade**
 Special saw blade, either for steel or aluminium. Faster cutting rates, thereby short cycle times.

***6 SEG HSS = Segment-Saw blade HSS**
 Universal segment-saw blade for generally structured steel, gray cast iron, middle NE-metals, tooth shape C.

***7 SEG HSS TIN = Segment-Saw blade HSS, Tin-coated**
 Universal segment-saw blade for generally structured steel, gray cast iron, middle NE-metals, tooth shape C. Substantially higher endurances and feed rates and thereby more efficiency. No material welds. High surface hardness and optimal heat dissipation.

***8 VA-polished**
 Special teeth-polish for the processing of VA-material.

KALTENBACH TECHNICAL SERVICES

SERVICE YOU CAN RELY.



KALTENBACH and our KALTENBACH partners are on hand to advise and assist you worldwide, 365 days a year. Whether you need machines or parts, maintenance or servicing – we are here to help.

We endeavour to provide the best possible service because our thoughts, feelings and actions reflect yours. And you can help us make our service even better.

Please get in touch, anytime.

▶ www.kaltenbach.com



▶ Spare parts – Original quality

OUR SPECIALISTS RESPOND, DIAGNOSE AND ACT - WE UNDERSTAND THAT SPEED IS OF THE ESSENCE.

ONLY THE BEST - ONLY ORIGINAL PARTS

KALTENBACH and KALTENBACH partners offer you their experience and knowledge. We understand your business and provide all the products you need to ensure that your processes are safe and reliable: The right parts, the right tools, the right lubricants.

And once our Field Service or Helpdesk has found the best solution for you, we ensure prompt delivery. We are well aware that time is money in production – so our original parts service helps you to save both.

Find your local contact at:
www.kaltenbach.com

▶ Field service

SAVING TIME AND COSTS ARE THE ULTIMATE PRIORITIES IN PRODUCTION. WITH US, YOU CAN DO BOTH.

WE THINK ABOUT YOU, EVEN WHEN WE ARE NOT WITH YOU.

Knowledge, experience and a passionate commitment to support our customers in the best possible way is what makes our service great: Dedicated people close to hand who understand your business so that you can make headway.

Our field service engineers can be called out at very short notice if necessary. These highly qualified technicians will diagnose the problem and actively work with you to find the best solution. Plant maintenance service and aftersales complete the package – service you can rely on.

▶ Competence centre

HOW CAN WE HELP YOU? THROUGH OUR COMMITMENT TO PROBLEM SOLVING.

▶ HELPDESK – ALWAYS AT THE READY

Our Helpdesk's priority is to help you as quickly as possible. Our skilled customer service team offers professional support throughout the world to help resolve all your machinery problems and technical queries.

Although our experience shows that 90 % of all service enquiries can be handled by telephone or using our online support system, we will gladly arrange a visit from a field service engineer whenever necessary.

▶ KALTENBACH ACADEMY

Nothing feels quite as good as getting better.

We will help you improve your knowledge of the machines and keep it up-to-date to maximise your efficiency. At the KALTENBACH Academy our experienced experts provide customer training and advice tailored to your specific industry and needs.

WE PROVIDE:

- ▶ a highly efficient logistics network in over 40 countries
- ▶ original parts direct from the manufacturer
- ▶ prices in line with the market
- ▶ professional advice tailored to your needs
- ▶ coordination of delivery to your premises
- ▶ plant maintenance advice

GLOBAL SPECIALISTS IN:

- ▶ individual, tailored contract terms and maintenance schemes
- ▶ problem-solving
- ▶ service
- ▶ updates
- ▶ machine relocations
- ▶ machine modifications and refits

OUR SERVICE TEAM WILL:

- ▶ provide technical support in the event of a machine breakdown with the aim of minimising downtime
- ▶ help by providing first-time fixes or organising on-site support
- ▶ keep you informed throughout the problem-solving process

EXPERTS ARE ON HAND FOR:

- ▶ product training
- ▶ safety training
- ▶ maintenance advice
- ▶ maintenance instructions
- ▶ internal partner audits
- ▶ advice (machine efficiency, logistics, tools and materials)

ORIGINAL KALTENBACH TOOLS: USE AND PRODUCE

- ▶ SAW BLADES
- ▶ SAW BANDS
- ▶ DRILLING TOOLS
- ▶ CUTTING TOOLS
- ▶ FLAME CUTTER
- ▶ SHEAR UNITS

For further information and our foreign affiliates,
please visit

WWW.KALTENBACH.COM

Product videos:

WWW.YOUTUBE.COM/KALTENBACHGROUP

Follow us on LinkedIn:

WWW.LINKEDIN.COM/COMPANY/KALTENBACH



KALTENBACH GMBH + CO. KG

Blasiring 4

D-79539 Lörrach

Phone: +49 7621/175 - 0

E-Mail: info@kaltenbach.de

www.kaltenbach.com