



**POWERFUL SOLUTIONS –  
PASSIONATE PEOPLE**



**KALTENBACH**

## **RANGE OF TOOLS**

**Saw blades**

## RANGE OF TOOLS SAW BLADES

Productivity and quality are always results of optimally coordinated machines and tools. So rely on the original high-tech tools from KALTENBACH and profit from highest precision, best surface quality and maximum saw-power.

This tool catalogue comprises original KALTENBACH saw blades for every circular-saw.

In addition to this, there are also other tool catalogues for band saws and drilling machines.

You can find more information about tools on our website at: [www.kaltenbach.com](http://www.kaltenbach.com)

## CONTENT

### Saw blades - Carbide

▶ TL 250 / 350 / 450	4
▶ SKL 400 / 450	4
▶ RKL 550 / 551	5
▶ KMR 100 AP	5

▶ MSK 471	6
-----------	---

### Saw blades - HSS

▶ KKS 370	7
▶ KKS 400	8
▶ KKS 401 / 450 / 451 + RKS 450 / 451	10
▶ KKS 463	15
▶ RKT 630 / 631 / 760	18
▶ HDM 911 / 1000 / 1020	19
▶ HDM 1300 - 1311	20
▶ HDM 1400 - 1432	20

▶ Saw blade-Types	21
-------------------	----

## RANGE TL + RANGE SKL

TL 250

### Carbide-Saw blade, D=250, ALU-Polish \*5

diameter	cut width	teeth quantity	saw blade-typ **	polish	qty x d1/d2 x d	order-no.
Ø 250	3.2	40	HM	für AL	4 x 9/50 x 32	8-9025-25400
	3.2	60	HM	für AL	4 x 9/50 x 32	8-9025-25600

TL 350

### Carbide-Saw blade, D=350, ALU-Polish \*5

diameter	cut width	teeth quantity	saw blade-typ **	polish	qty x d1/d2 x d	order-no.
Ø 350	3.2	84	HM	für AL	4 x 15/80 x 50	8-9025-35840
	3.2	96	HM	für AL	4 x 15/80 x 50	8-9025-359600
	3.2	108	HM	für AL	4 x 15/80 x 50	8-9025-350810

TL 450

### Carbide-Saw blade, D=450, ALU-Polish \*5

diameter	cut width	teeth quantity	saw blade-typ **	polish	qty x d1/d2 x d	order-no.
Ø 450	4	80	HM	für AL	4 x 15/80 x 50	8-9025-458001
	3.8	108	HM	für AL	4 x 15/80 x 50	8-9025-450810

SKL 400

### Carbide-Saw blade, D=370, ALU-Polish \*5

diameter	cut width	teeth quantity	saw blade-typ **	polish	qty x d1/d2 x d	order-no.
Ø 370	3.2 / 3.6	60	HM	für AL	4 x 15/80 x 50	8-9025-37600
	3.8	84	HM	für AL	4 x 15/80 x 50	8-9025-37840

### Carbide-Saw blade, D=400, ALU-Polish \*5

diameter	cut width	teeth quantity	saw blade-typ **	polish	qty x d1/d2 x d	order-no.
Ø 400	3.8	66	HM	für AL	4 x 15/80 x 50	8-9025-40660
	3.8	96	HM	für AL	4 x 15/80 x 50	8-9025-409600
	3.6	120	HM	für AL	4 x 15/80 x 50	8-9025-40120

### Carbide-Saw blade, D=400, ALU-Polish \*5

diameter	cut width	teeth quantity	saw blade-typ **	polish	qty x d1/d2 x d	order-no.
Ø 400	3.8	66	HM	für AL	4 x 15/80 x 50	8-9025-40660
	3.8	96	HM	für AL	4 x 15/80 x 50	8-9025-409600
	3.6	120	HM	für AL	4 x 15/80 x 50	8-9025-40120

### Carbide-Saw blade, D=450, ALU-Polish \*5

diameter	cut width	teeth quantity	saw blade-typ **	polish	qty x d1/d2 x d	order-no.
Ø 450	4	80	HM	für AL	4 x 15/80 x 50	8-9025-458001
	3.8	108	HM	für AL	4 x 15/80 x 50	8-9025-450810

## RANGE RKL + KMR 100 AP

### Carbide-Saw blade, D=500, ALU-Polish \*5

diameter	cut width	teeth quantity	saw blade-typ **	polish	qty x d1/d2 x d	order-no.
Ø 500	4	80	HM	für AL	4 x 15/80 x 50	8-9025-50800
	4	120	HM	für AL	4 x 15/80 x 50	8-9025-501200

### Carbide-Saw blade, D=550, ALU-Polish \*5

diameter	cut width	teeth quantity	saw blade-typ **	polish	qty x d1/d2 x d	order-no.
Ø 550	4	96	HM	für AL	4 x 15/80 x 50	8-9025-559600

### Carbide-Saw blade, D=560, ALU-Polish \*5

diameter	cut width	teeth quantity	saw blade-typ **	polish	qty x d1/d2 x d	order-no.
Ø 550	4.4	96	HM	für AL	4 x 15/80 x 50	8-9025-569600

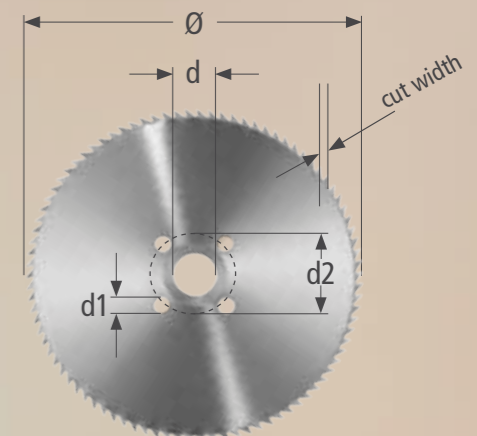
### Carbide-Saw blade, D=360, for steel \*5

diameter	cut width	teeth quantity	saw blade-typ **	polish	qty x d1/d2 x d	order-no.
Ø 360 thin section	2.6	60	HM	Standard	4 x 16/80 x 50	8-9026-366002
	2.5	80	HM	Standard	4 x 16/80 x 50	8-9026-368002
	2.5	100	HM	Standard	4 x 16/80 x 50	8-9026-360012

RKL 550/  
551

KMR 100  
AP

SKL 450



\*\* saw blade-types: VST = solid steel, HM = carbide, SEG = segment saw blade HSS



# MSK 471

# KKS 370

MSK 471

KKS 370

Solid steel-Saw blade HSS, D=460 *1						
diameter	cut width	teeth quantity	saw blade-typ **	polish	qty x d1/d2 x d	order-no.
Ø 460	4	108	VST HSS CN	Standard	4 x 15/80 x 50	8-9021-461084

Solid steel-Saw blade HSS, PERFORMANCE, D=460 *4						
diameter	cut width	teeth quantity	saw blade-typ **	polish	qty x d1/d2 x d	order-no.
Ø 460	3	160	VST PER	Standard	4 x 15/80 x 50	8-9024-461600

Carbide-Saw blade for unalloyed materials, D=460 *5						
diameter	cut width	teeth quantity	saw blade-typ **	polish	qty x d1/d2 x d	order-no.
Ø 460	2.7 / 2.25	40	HM	Standard	4 x 14/80 x 50	8-9026-464005
	2.7 / 2.25	60	HM	Standard	4 x 14/80 x 50	8-9026-466005

Carbide-Saw blade for steel, D=460 *5						
diameter	cut width	teeth quantity	saw blade-typ **	polish	qty x d1/d2 x d	order-no.
Ø 460	2.7 / 2.25	40	HM	Standard	4 x 15/80 x 50	8-9026-464006
	2.7 / 2.25	60	HM	Standard	4 x 15/80 x 50	8-9026-466006
	2.7 / 2.25	80	HM	Standard	4 x 15/80 x 50	8-9026-468006
	2.7 / 2.25	100	HM	Standard	4 x 15/80 x 50	8-9026-460016

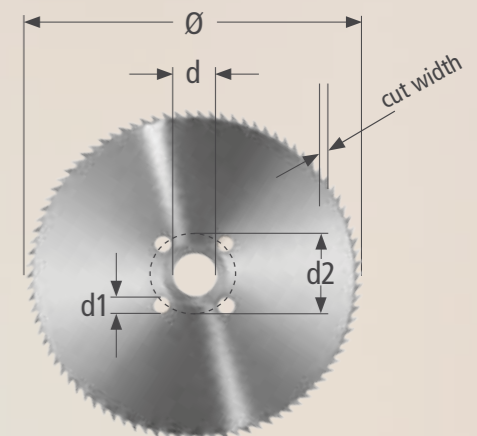
Segment-Saw blade HSS, D=460 *6						
diameter	cut width	teeth quantity	saw blade-typ **	polish	qty x d1/d2 x d	order-no.
Ø 460	4.7	5	SEG HSS	Standard	4 x 15/80 x 50	8-9330-460500
	4.7	6	SEG HSS	Standard	4 x 15/80 x 50	8-9330-460600

Solid steel-Saw blade HSS, D=350 *1						
diameter	cut width	teeth quantity	saw blade-typ **	polish	qty x d1/d2 x d	order-no.
Ø 350	3	80	VST HSS CN	Standard	4 x 15/80 x 50	8-9021-35081
	3	100	VST HSS CN	Standard	4 x 15/80 x 50	8-9021-35101
	3	120	VST HSS CN	Standard	4 x 15/80 x 50	8-9021-35121
	3	160	VST HSS CN	Standard	4 x 15/80 x 50	8-9021-35161
	3	220	VST HSS CN	Standard	4 x 15/80 x 50	8-9021-35221

Solid steel-Saw blade HSS, D=370 *1						
diameter	cut width	teeth quantity	saw blade-typ **	polish	qty x d1/d2 x d	order-no.
Ø 370	3	60	VST HSS CN	Standard	4 x 15/80 x 50	8-9021-37060
	3	80	VST HSS CN	Standard	4 x 15/80 x 50	8-9021-37080
	3	100	VST HSS CN	Standard	4 x 15/80 x 50	8-9021-37100
	3	120	VST HSS CN	Standard	4 x 15/80 x 50	8-9021-37120
	3	160	VST HSS CN	Standard	4 x 15/80 x 50	8-9021-37160
	3	220	VST HSS CN	Standard	4 x 15/80 x 50	8-9021-37220

Solid steel-Saw blade HSS, TIN-coated, D=370 *2						
diameter	cut width	teeth quantity	saw blade-typ **	polish	qty x d1/d2 x d	order-no.
Ø 370	3.6	80	VSt HSS CN TIN	Standard	4 x 15/80 x 50	8-9022-370803
	4	80	VSt Hss CN TIN	Standard	4 x 15/80 x 50	8-9022-370804

Segment-Saw blade HSS, D=370 *6						
diameter	cut width	teeth quantity	saw blade-typ **	polish	qty x d1/d2 x d	order-no.
Ø 370	3.6	4	SEG HSS	Standard	4 x 15/80 x 50	8-9330-370400
	3.6	5	SEG HSS	Standard	4 x 15/80 x 50	8-9330-370500
	3.6	6	SEG HSS	Standard	4 x 15/80 x 50	8-9330-370600
	3.6	8	SEG HSS	Standard	4 x 15/80 x 50	8-9330-370800



\*\* saw blade-types: VST = solid steel, HM = carbide, SEG = segment saw blade HSS

# KKS 400

# KKS 400

## Solid steel-Saw blade HSS, D=400 \*1

diameter	cut width	teeth quantity	saw blade-typ **	polish	qty x d1/d2 x d	order-no.
Ø 400	3.5	60	VST HSS CN	Standard	4 x 15/80 x 50	8-9021-40060
	3.5	80	VST HSS CN	Standard	4 x 15/80 x 50	8-9021-40080
	3.5	100	VST HSS CN	Standard	4 x 15/80 x 50	8-9021-40100
	3.5	120	VST HSS CN	Standard	4 x 15/80 x 50	8-9021-40120
	3.5	160	VST HSS CN	Standard	4 x 15/80 x 50	8-9021-40160
	3.5	220	VST HSS CN	Standard	4 x 15/80 x 50	8-9021-40220

## Solid steel-Saw blade HSS, D=400 \*1

diameter	cut width	teeth quantity	saw blade-typ **	polish	qty x d1/d2 x d	order-no.
Ø 400	4	80	VST HSS CN	Standard	4 x 15/80 x 50	8-9021-400804
	4	100	VST HSS CN	Standard	4 x 15/80 x 50	8-9021-401004
	4	120	VST HSS CN	Standard	4 x 15/80 x 50	8-9021-401204
	4	220	VST HSS CN	Standard	4 x 15/80 x 50	8-9021-402204

## Solid steel-Saw blade HSS, POWER 2000, D=400 \*3

diameter	cut width	teeth quantity	saw blade-typ **	polish	qty x d1/d2 x d	order-no.
Ø 400	2.2	120	VST POW	Standard	4 x 15/80 x 50	8-9023-401200
	2.2	160	VST POW	Standard	4 x 15/80 x 50	8-9023-401600
	2.2	220	VST POW	Standard	4 x 15/80 x 50	8-9023-402200

## Solid steel-Saw blade HSS, PERFORMANCE, D=400 \*4

diameter	cut width	teeth quantity	saw blade-typ **	polish	qty x d1/d2 x d	order-no.
Ø 400	3	100	VST PER	Standard	4 x 15/80 x 50	8-9024-401000
	3	120	VST PER	Standard	4 x 15/80 x 50	8-9024-401200
	3	140	VST PER	Standard	4 x 15/80 x 50	8-9024-401400
	3	160	VST PER	Standard	4 x 15/80 x 50	8-9024-401600
	3	220	VST PER	Standard	4 x 15/80 x 50	8-9024-402200

## Solid steel-Saw blade HSS, TIN-coated, D=400 \*2

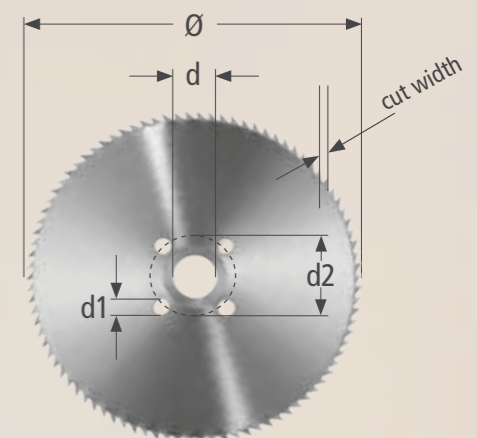
diameter	cut width	teeth quantity	saw blade-typ **	polish	qty x d1/d2 x d	order-no.
Ø 400	4	60	VST HSS CN TIN	Standard	4 x 15/80 x 50	8-9022-400604
	4	80	VST HSS CN TIN	Standard	4 x 15/80 x 50	8-9022-400804
	4	100	VST HSS CN TIN	Standard	4 x 15/80 x 50	8-9022-401004
	4	120	VST HSS CN TIN	Standard	4 x 15/80 x 50	8-9022-401204
	3.5	220	VST HSS CN TIN	Standard	4 x 15/80 x 50	8-9022-402203

## Segment-Saw blade HSS, D=400 \*6

diameter	cut width	teeth quantity	saw blade-typ **	polish	qty x d1/d2 x d	order-no.
Ø 400	4	4	SEG HSS	Standard	4 x 15/80 x 50	8-9330-400400
	4	5	SEG HSS	Standard	4 x 15/80 x 50	8-9330-400500
	4	6	SEG HSS	Standard	4 x 15/80 x 50	8-9330-400600
	4	8	SEG HSS	Standard	4 x 15/80 x 50	8-9330-400800
	4	10	SEG HSS	Standard	4 x 15/80 x 50	8-9330-401000

KKS 400

KKS 400



\*\* saw blade-types: VST = solid steel, HM = carbide, SEG = segment saw blade HSS

# KKS 401 / 450 / 451 + RKS 450 / 451

# KKS 401 / 450 / 451 + RKS 450 / 451

KKS 401 / 450 / 451  
RKS 450 / 451

KKS 401 / 450 / 451  
RKS 450 / 451

Solid steel-Saw blade HSS *1						
diameter	cut width	teeth quantity	saw blade-typ **	polish	qty x d1/d2 x d	order-no.
Ø 400	3,5	60	VST HSS CN	Standard	4 x 15/80 x 50	8-9021-40060
	3,5	80	VST HSS CN	Standard	4 x 15/80 x 50	8-9021-40080
	3,5	100	VST HSS CN	Standard	4 x 15/80 x 50	8-9021-40100
	3,5	120	VST HSS CN	Standard	4 x 15/80 x 50	8-9021-40120
	3,5	160	VST HSS CN	Standard	4 x 15/80 x 50	8-9021-40160
	3,5	220	VST HSS CN	Standard	4 x 15/80 x 50	8-9021-40220

Solid steel-Saw blade HSS-VA *1 + *8						
diameter	cut width	teeth quantity	saw blade-typ **	polish	qty x d1/d2 x d	order-no.
Ø 400	3,5	80	VST HSS CN	VA	4 x 15/80 x 50	8-9021-40080/S1
	3,5	100	VST HSS CN	VA	4 x 15/80 x 50	8-9021-40100/S1
	3,5	120	VST HSS CN	VA	4 x 15/80 x 50	8-9021-40120/S1
	3,5	160	VST HSS CN	VA	4 x 15/80 x 50	8-9021-40160/S1
	3,5	220	VST HSS CN	VA	4 x 15/80 x 50	8-9021-40220/S1

Solid steel-Saw blade HSS *1						
diameter	cut width	teeth quantity	saw blade-typ **	polish	qty x d1/d2 x d	order-no.
Ø 400	4	80	VST HSS CN	Standard	4 x 15/80 x 50	8-9021-400804
	4	100	VST HSS CN	Standard	4 x 15/80 x 50	8-9021-401004
	4	120	VST HSS CN	Standard	4 x 15/80 x 50	8-9021-401204
	4	220	VST HSS CN	Standard	4 x 15/80 x 50	8-9021-402204

Solid steel-Saw blade HSS-VA *1 + *8						
diameter	cut width	teeth quantity	saw blade-typ **	polish	qty x d1/d2 x d	order-no.
Ø 400	4	100	VST HSS CN	VA	4 x 15/80 x 50	8-9021-101004/S1
	4	120	VST HSS CN	VA	4 x 15/80 x 50	8-9021-401204/S1
	4	220	VST HSS CN	VA	4 x 15/80 x 50	8-9021-402204/S1

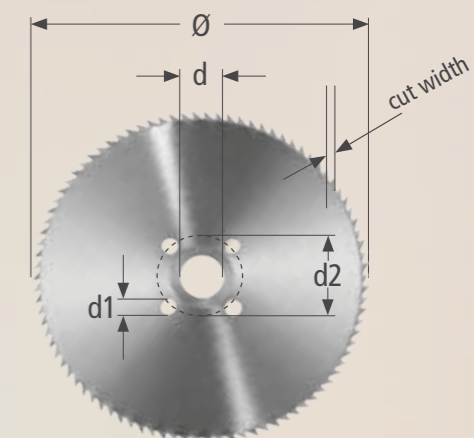
Solid steel-Saw blade HSS, POWER 2000 *3 (+ 1x *8)						
diameter	cut width	teeth quantity	saw blade-typ **	polish	qty x d1/d2 x d	order-no.
Ø 400	2,2	120	VST POW	Standard	4 x 15/80 x 50	8-9023-401200
	2,2	160	VST POW	Standard	4 x 15/80 x 50	8-9023-401600
	2,2	220	VST POW	Standard	4 x 15/80 x 50	8-9023-402200
	2,2	200	VST POW	VA	4 x 15/80 x 50	8-9023-402200/S1

Solid steel-Saw blade HSS, PERFORMANCE *4						
diameter	cut width	teeth quantity	saw blade-typ **	polish	qty x d1/d2 x d	order-no.
Ø 400	3	100	VST PER	Standard	4 x 15/80 x 50	8-9024-401000
	3	120	VST PER	Standard	4 x 15/80 x 50	8-9024-401200
	3	140	VST PER	Standard	4 x 15/80 x 50	8-9024-401400
	3	160	VST PER	Standard	4 x 15/80 x 50	8-9024-401600
	3	220	VST PER	Standard	4 x 15/80 x 50	8-9024-402200

Solid steel-Saw blade HSS-VA, PERFORMANCE *4 + *8						
diameter	cut width	teeth quantity	saw blade-typ **	polish	qty x d1/d2 x d	order-no.
Ø 400	3	120	VST PER	VA	4 x 15/80 x 50	8-9024-401200/S1
	3	160	VST PER	VA	4 x 15/80 x 50	8-9024-401600/S1
	3	220	VST PER	VA	4 x 15/80 x 50	8-9024-402200/S1

Solid steel-Saw blade HSS, TIN-beschichtet *2						
diameter	cut width	teeth quantity	saw blade-typ **	polish	qty x d1/d2 x d	order-no.
Ø 400	4	60	VST HSS CN TIN	Standard	4 x 15/80 x 50	8-9022-400604
	4	80	VST HSS CN TIN	Standard	4 x 15/80 x 50	8-9022-400804
	4	100	VST HSS CN TIN	Standard	4 x 15/80 x 50	8-9022-401004
	4	120	VST HSS CN TIN	Standard	4 x 15/80 x 50	8-9022-401204
	3,5	220	VST HSS CN TIN	Standard	4 x 15/80 x 50	8-9022-402203

Solid steel-Saw blade HSS-VA, TIN-beschichtet *2 + *8						
diameter	cut width	teeth quantity	saw blade-typ **	polish	qty x d1/d2 x d	order-no.
Ø 400	4	80	VST HSS CN TIN	VA	4 x 15/80 x 50	8-9022-400804/S1
	4	100	VST HSS CN TIN	VA	4 x 15/80 x 50	8-9022-401004/S1
	4	120	VST HSS CN TIN	VA	4 x 15/80 x 50	8-9022-401204-S1
	4	160	VST HSS CN TIN	VA	4 x 15/80 x 50	8-9022-401604-S1



\*\* saw blade-types: VST = solid steel, HM = carbide, SEG = segment saw blade HSS



# KKS 401 / 450 / 451 + RKS 450 / 451

# KKS 401 / 450 / 451 + RKS 450 / 451

Segment-Saw blade HSS *6						
diameter	cut width	teeth quantity	saw blade-typ **	polish	qty x d1/d2 x d	order-no.
Ø 400	4	4	SEG HSS	Standard	4 x 15/80 x 50	8-9330-400400
	4	5	SEG HSS	Standard	4 x 15/80 x 50	8-9330-400500
	4	6	SEG HSS	Standard	4 x 15/80 x 50	8-9330-400600
	4	8	SEG HSS	Standard	4 x 15/80 x 50	8-9330-400800
	4	10	SEG HSS	Standard	4 x 15/80 x 50	8-9330-401000

Segment-Saw blade HSS-VA *6 + *8						
diameter	cut width	teeth quantity	saw blade-typ **	polish	qty x d1/d2 x d	order-no.
Ø 400	4	4	SEG HSS	VA	4 x 15/80 x 50	8-9330-400400/S1
	4	5	SEG HSS	VA	4 x 15/80 x 50	8-9330-400500/S1
	4	6	SEG HSS	VA	4 x 15/80 x 50	8-9330-400600/S1
	4	8	SEG HSS	VA	4 x 15/80 x 50	8-9330-400800/S1
	4	10	SEG HSS	VA	4 x 15/80 x 50	8-9330-401000/S1

Segment-Saw blade HSS *6						
diameter	cut width	teeth quantity	saw blade-typ **	polish	qty x d1/d2 x d	order-no.
Ø425	4	4	SEG HSS	Standard	4 x 15/80 x 50	8-9330-420405
	4	5	SEG HSS	Standard	4 x 15/80 x 50	8-9330-420505
	4	6	SEG HSS	Standard	4 x 15/80 x 50	8-9330-420605
	4	8	SEG HSS	Standard	4 x 15/80 x 50	8-9330-420805
	4	10	SEG HSS	Standard	4 x 15/80 x 50	8-9330-421005
	4	12	SEG HSS	Standard	4 x 15/80 x 50	8-9330-421205

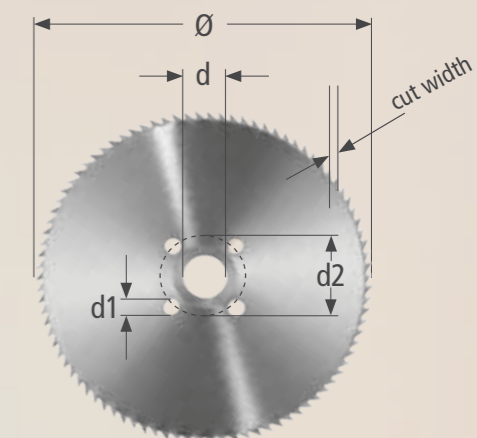
Solid steel-Saw blade HSS *1						
diameter	cut width	teeth quantity	saw blade-typ **	polish	qty x d1/d2 x d	order-no.
Ø 450	4	80	VST HSS CN	Standard	4 x 15/80 x 50	8-9021-45080
	4	100	VST HSS CN	Standard	4 x 15/80 x 50	8-9021-45100
	4	120	VST HSS CN	Standard	4 x 15/80 x 50	8-9021-451204
	4	160	VST HSS CN	Standard	4 x 15/80 x 50	8-9021-451604
	4	240	VST HSS CN	Standard	4 x 15/80 x 50	8-9021-452405

Solid steel-Saw blade HSS-VA *1 + *8						
diameter	cut width	teeth quantity	saw blade-typ**	polish	qty x d1/d2 x d	order-no.
Ø 450	4	100	VST HSS CN	VA	4 x 15/80 x 50	8-9021-45100/S1
	4	120	VST HSS CN	VA	4 x 15/80 x 50	8-9021-451204/S1
	4	160	VST HSS CN	VA	4 x 15/80 x 50	8-9021-451604/S1

Solid steel-Saw blade HSS, POWER 2000 *3 (+1x *8)						
diameter	cut width	teeth quantity	saw blade-typ **	polish	qty x d1/d2 x d	order-no.
Ø 450	2,5	160	VST POW	Standard	4 x 15/80 x 50	8-9023-451600
	2,5	220	VST POW	Standard	4 x 15/80 x 50	8-9023-452200
	2,5	280	VST POW	Standard	4 x 15/80 x 50	8-9023-452800
	2,5	220	VST POW	VA	4 x 15/80 x 50	8-9023-452200/S1

Solid steel-Saw blade HSS, PERFORMANCE*4 (+1x *8)						
diameter	cut width	teeth quantity	saw blade-typ **	polish	qty x d1/d2 x d	order-no.
Ø 450	3	100	VST PER	Standard	4 x 15/80 x 50	8-9024-451000
	3	120	VST PER	Standard	4 x 15/80 x 50	8-9024-451200
	3	160	VST PER	Standard	4 x 15/80 x 50	8-9024-451600
	3	220	VST PER	Standard	4 x 15/80 x 50	8-9024-452200
	3	160	VST PER	VA	4 x 15/80 x 50	8-9024-451600/S1

Solid steel-Saw blade HSS, TIN-beschichtet *2 (+1x *8)						
diameter	cut width	teeth quantity	saw blade-typ **	polish	qty x d1/d2 x d	order-no.
Ø 450	4	60	VST HSS CN TIN	Standard	4 x 15/80 x 50	8-9022-450064
	4	80	VST HSS CN TIN	Standard	4 x 15/80 x 50	8-9022-450084
	4	100	VST HSS CN TIN	Standard	4 x 15/80 x 50	8-9022-450104
	4	120	VST HSS CN TIN	Standard	4 x 15/80 x 50	8-9022-450124
	4	160	VST HSS CN TIN	Standard	4 x 15/80 x 50	8-9022-450164
	4	120	VST HSS CN TIN	VA	4 x 15/80 x 50	8-9022-450124/S1
	4	120	VST HSS CN TIN	VA	4 x 15/80 x 50	8-9022-450124/S1



\*\* saw blade-types: VST = solid steel, HM = carbide, SEG = segment saw blade HSS

KKS 401 / 450 / 451  
RKS 450 / 451

KKS 401 / 450 / 451  
RKS 450 / 451

# KKS 401 / 450 / 451 + RKS 450 / 451

# KKS 463

KKS 401 / 450 / 451  
RKS 450 / 451

KKS 463

Segment-Saw blade HSS *6						
diameter	cut width	teeth quantity	saw blade-typ **	polish	qty x d1/d2 x d	order-no.
Ø 450	4	4	SEG HSS	Standard	4 x 15/80 x 50	8-9330-450400
	4	5	SEG HSS	Standard	4 x 15/80 x 50	8-9330-450500
	4	6	SEG HSS	Standard	4 x 15/80 x 50	8-9330-450600
	4	8	SEG HSS	Standard	4 x 15/80 x 50	8-9330-450800
	4	10	SEG HSS	Standard	4 x 15/80 x 50	8-9330-451000
	4	12	SEG HSS	Standard	4 x 15/80 x 50	8-9330-451200

Segment-Saw blade HSS-VA *6 + *8						
diameter	cut width	teeth quantity	saw blade-typ **	polish	qty x d1/d2 x d	order-no.
Ø 450	4	5	SEG HSS	VA	4 x 15/80 x 50	8-9330-450500/S1
	4	6	SEG HSS	VA	4 x 15/80 x 50	8-9330-450600/S1
	4	8	SEG HSS	VA	4 x 15/80 x 50	8-9330-450800/S1

Segment-Saw blade HSS, TIN-beschichtet *7						
diameter	cut width	teeth quantity	saw blade-typ**	polish	qty x d1/d2 x d	order-no.
Ø 450	4	4	SEG HSS TIN	Standard	4 x 15/80 x 50	8-9332-450400
	4	5	SEG HSS TIN	Standard	4 x 15/80 x 50	8-9332-450500
	4	6	SEG HSS TIN	Standard	4 x 15/80 x 50	8-9332-450600

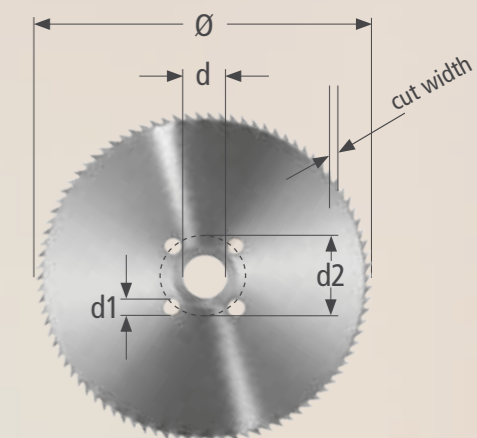
Segment-Saw blade HSS, TIN-beschichtet *7 + *8						
diameter	cut width	teeth quantity	saw blade-typ**	polish	qty x d1/d2 x d	order-no.
Ø 450	4	5	SEG HSS TIN	VA	4 x 15/80 x 50	8-9332-450500/S1
	4	6	SEG HSS TIN	VA	4 x 15/80 x 50	8-9332-450600/S1

Solid steel-Saw blade HSS *1						
diameter	cut width	teeth quantity	saw blade-typ **	polish	qty x d1/d2 x d	order-no.
Ø 400	3,5	60	VST HSS CN	Standard	4 x 15/80 x 50	8-9021-40060
	3,5	80	VST HSS CN	Standard	4 x 15/80 x 50	8-9021-40080
	3,5	100	VST HSS CN	Standard	4 x 15/80 x 50	8-9021-40100
	3,5	120	VST HSS CN	Standard	4 x 15/80 x 50	8-9021-40120
	3,5	160	VST HSS CN	Standard	4 x 15/80 x 50	8-9021-40160
	3,5	220	VST HSS CN	Standard	4 x 15/80 x 50	8-9021-40220

Solid steel-Saw blade HSS *1						
diameter	cut width	teeth quantity	saw blade-typ **	polish	qty x d1/d2 x d	order-no.
Ø 400	4	80	VST HSS CN	Standard	4 x 15/80 x 50	8-9021-400804
	4	100	VST HSS CN	Standard	4 x 15/80 x 50	8-9021-401004
	4	120	VST HSS CN	Standard	4 x 15/80 x 50	8-9021-401204
	4	220	VST HSS CN	Standard	4 x 15/80 x 50	8-9021-402204

VSolid steel-Saw blade HSS, POWER 2000 *3						
diameter	cut width	teeth quantity	saw blade-typ **	polish	qty x d1/d2 x d	order-no.
Ø 400	2,2	120	VST POW	Standard	4 x 15/80 x 50	8-9023-401200
	2,2	160	VST POW	Standard	4 x 15/80 x 50	8-9023-401600
	2,2	220	VST POW	Standard	4 x 15/80 x 50	8-9023-402200

Solid steel-Saw blade HSS, PERFORMANCE *4						
diameter	cut width	teeth quantity	saw blade-typ **	polish	qty x d1/d2 x d	order-no.
Ø 400	3	100	VST PER	Standard	4 x 15/80 x 50	8-9024-401000
	3	120	VST PER	Standard	4 x 15/80 x 50	8-9024-401200
	3	140	VST PER	Standard	4 x 15/80 x 50	8-9024-401400
	3	160	VST PER	Standard	4 x 15/80 x 50	8-9024-401600
	3	220	VST PER	Standard	4 x 15/80 x 50	8-9024-402200



\*\* saw blade-types: VST = solid steel, HM = carbide, SEG = segment saw blade HSS



# KKS 463

## Solid steel-Saw blade HSS, TIN-beschichtet \*2

diameter	cut width	teeth quantity	saw blade-typ **	polish	qty x d1/d2 x d	order-no.
Ø 400	4	60	VST HSS CN TIN	Standard	4 x 15/80 x 50	8-9022-400604
	4	80	VST HSS CN TIN	Standard	4 x 15/80 x 50	8-9022-400804
	4	100	VST HSS CN TIN	Standard	4 x 15/80 x 50	8-9022-401004
	4	120	VST HSS CN TIN	Standard	4 x 15/80 x 50	8-9022-401204
	3,5	220	VST HSS CN TIN	Standard	4 x 15/80 x 50	8-9022-402203

## Segment-Saw blade HSS \*6

diameter	cut width	teeth quantity	saw blade-typ **	polish	qty x d1/d2 x d	order-no.
Ø 400	4	4	SEG HSS	Standard	4 x 15/80 x 50	8-9330-400400
	4	5	SEG HSS	Standard	4 x 15/80 x 50	8-9330-400500
	4	6	SEG HSS	Standard	4 x 15/80 x 50	8-9330-400600
	4	8	SEG HSS	Standard	4 x 15/80 x 50	8-9330-400800
	4	10	SEG HSS	Standard	4 x 15/80 x 50	8-9330-401000

## Solid steel-Saw blade HSS \*1

diameter	cut width	teeth quantity	saw blade-typ **	polish	qty x d1/d2 x d	order-no.
Ø 450	4	80	VST HSS CN	Standard	4 x 15/80 x 50	8-9021-45080
	4	100	VST HSS CN	Standard	4 x 15/80 x 50	8-9021-45100
	4	120	VST HSS CN	Standard	4 x 15/80 x 50	8-9021-451204
	4	160	VST HSS CN	Standard	4 x 15/80 x 50	8-9021-451604
	4	240	VST HSS CN	Standard	4 x 15/80 x 50	8-9021-452405

## Solid steel-Saw blade HSS, POWER 2000 \*3

diameter	cut width	teeth quantity	saw blade-typ **	polish	qty x d1/d2 x d	order-no.
Ø 450	2,5	160	VST POW	Standard	4 x 15/80 x 50	8-9023-451600
	2,5	220	VST POW	Standard	4 x 15/80 x 50	8-9023-452200
	2,5	280	VST POW	Standard	4 x 15/80 x 50	8-9023-452800

## Solid steel-Saw blade HSS, PERFORMANCE \*4

diameter	cut width	teeth quantity	saw blade-typ **	polish	qty x d1/d2 x d	order-no.
Ø 450	3	100	VST PER	Standard	4 x 15/80 x 50	8-9024-451000
	3	120	VST PER	Standard	4 x 15/80 x 50	8-9024-451200
	3	160	VST PER	Standard	4 x 15/80 x 50	8-9024-451600
	3	220	VST PER	Standard	4 x 15/80 x 50	8-9024-452200

## Segment-Saw blade HSS, TIN-beschichtet \*7

diameter	cut width	teeth quantity	saw blade-typ **	polish	qty x d1/d2 x d	order-no.
Ø 450	4	4	SEG HSS TIN	Standard	4 x 15/80 x 50	8-9332-450400
	4	5	SEG HSS TIN	Standard	4 x 15/80 x 50	8-9332-450500
	4	6	SEG HSS TIN	Standard	4 x 15/80 x 50	8-9332-450600

# KKS 463

## Solid steel-Saw blade HSS, TIN-beschichtet \*2

diameter	cut width	teeth quantity	saw blade-typ **	polish	qty x d1/d2 x d	order-no.
Ø 450	4	60	VST HSS CN TIN	Standard	4 x 15/80 x 50	8-9022-450064
	4	80	VST HSS CN TIN	Standard	4 x 15/80 x 50	8-9022-450084
	4	100	VST HSS CN TIN	Standard	4 x 15/80 x 50	8-9022-450104
	4	120	VST HSS CN TIN	Standard	4 x 15/80 x 50	8-9022-450124
	4	160	VST HSS CN TIN	Standard	4 x 15/80 x 50	8-9022-450164

## Segment-Saw blade HSS \*6

diameter	cut width	teeth quantity	saw blade-typ **	polish	qty x d1/d2 x d	order-no.
Ø 450	4	4	SEG HSS	Standard	4 x 15/80 x 50	8-9330-450400
	4	5	SEG HSS	Standard	4 x 15/80 x 50	8-9330-450500
	4	6	SEG HSS	Standard	4 x 15/80 x 50	8-9330-450600
	4	8	SEG HSS	Standard	4 x 15/80 x 50	8-9330-450800
	4	10	SEG HSS	Standard	4 x 15/80 x 50	8-9330-451000
	4	12	SEG HSS	Standard	4 x 15/80 x 50	8-9330-451200

## Solid steel-Saw blade HSS \*1

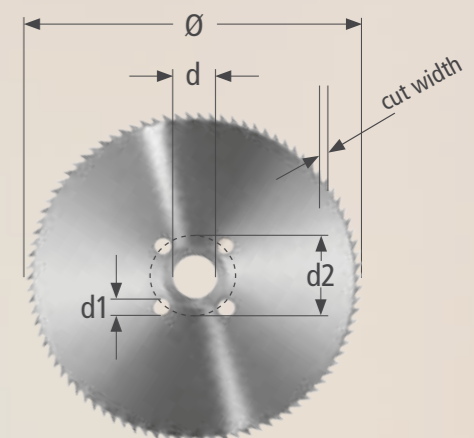
diameter	cut width	teeth quantity	saw blade-typ **	polish	qty x d1/d2 x d	order-no.
Ø 460	4	108	VST HSS CN	Standard	4 x 15/80 x 50	8-9021-461084

## Solid steel-Saw blade HSS, PERFORMANCE \*4

diameter	cut width	teeth quantity	saw blade-typ **	polish	qty x d1/d2 x d	order-no.
Ø 460	3	160	VST PER	Standard	4 x 15/80 x 50	8-9024-461600

## Segment-Saw blade HSS \*6

diameter	cut width	teeth quantity	saw blade-typ **	polish	qty x d1/d2 x d	order-no.
Ø 460	4,7	5	SEG HSS	Standard	4 x 15/80 x 50	8-9330-460500
	4,7	6	SEG HSS	Standard	4 x 15/80 x 50	8-9330-460600



\*\* saw blade-types: VST = solid steel, HM = carbide, SEG = segment saw blade HSS

## RANGE RKT

RKT 630

### Segment-Saw blade HSS \*6

diameter	cut width	teeth quantity	saw blade-typ **	polish	qty x d1/d2 x d	order-no.
Ø 630	5	4	SEG HSS	Standard	4 x 22/120 x 80	8-9330-630400
	5	5	SEG HSS	Standard	4 x 22/120 x 80	8-9330-630500
	5	6	SEG HSS	Standard	4 x 22/120 x 80	8-9330-630600
	5	8	SEG HSS	Standard	4 x 22/120 x 80	8-9330-630800

RKT 631

### Segment-Saw blade HSS \*6

diameter	cut width	teeth quantity	saw blade-typ **	polish	qty x d1/d2 x d	order-no.
Ø 710	6	4	SEG HSS	Standard	4 x 22/120 x 80	8-9330-710400
	6	5	SEG HSS	Standard	4 x 22/120 x 80	8-9330-710500
	6	6	SEG HSS	Standard	4 x 22/120 x 80	8-9330-710600
	6	8	SEG HSS	Standard	4 x 22/120 x 80	8-9330-710800

RKT 760

### Segment-Saw blade HSS \*6

diameter	cut width	teeth quantity	saw blade-typ **	polish	qty x d1/d2 x d	order-no.
Ø 760	6	4	SEG HSS	Standard	4 x 22/120 x 80	8-9330-760400
	6	5	SEG HSS	Standard	4 x 22/120 x 80	8-9330-760500
	6	6	SEG HSS	Standard	4 x 22/120 x 80	8-9330-760600
	6	8	SEG HSS	Standard	4 x 22/120 x 80	8-9330-760800

## RANGE HDM

HDM 911

### Segment-Saw blade HSS \*6

diameter	cut width	teeth quantity	saw blade-typ **	polish	qty x d1/d2 x d	order-no.
Ø 910	7	3	SEG HSS	Standard	4 x 27/160 x 80	8-9330-910300
	7	4	SEG HSS	Standard	4 x 27/160 x 80	8-9330-910400
	7	5	SEG HSS	Standard	4 x 27/160 x 80	8-9330-910500
	7	6	SEG HSS	Standard	4 x 27/160 x 80	8-9330-910600
	7	8	SEG HSS	Standard	4 x 27/160 x 80	8-9330-910800

HDM 1000

### Segment-Saw blade HSS \*6

diameter	cut width	teeth quantity	saw blade-typ **	polish	qty x d1/d2 x d	order-no.
Ø 910	7	3	SEG HSS	Standard	4 x 27/160 x 80	8-9330-910300
	7	4	SEG HSS	Standard	4 x 27/160 x 80	8-9330-910400
	7	5	SEG HSS	Standard	4 x 27/160 x 80	8-9330-910500
	7	6	SEG HSS	Standard	4 x 27/160 x 80	8-9330-910600
	7	8	SEG HSS	Standard	4 x 27/160 x 80	8-9330-910800

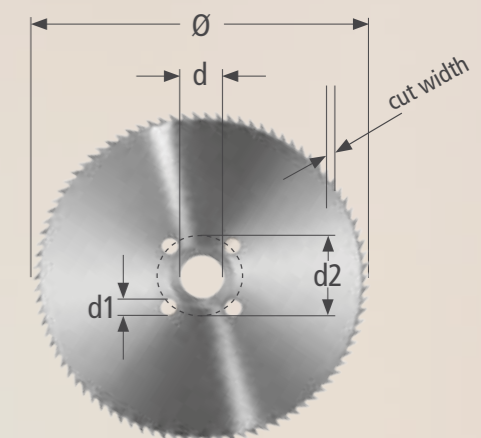
HDM 1020

### Segment-Saw blade HSS \*6

diameter	cut width	teeth quantity	saw blade-typ **	polish	qty x d1/d2 x d	order-no.
Ø 910	7	3	SEG HSS	Standard	4 x 27/160 x 80	8-9330-910300
	7	4	SEG HSS	Standard	4 x 27/160 x 80	8-9330-910400
	7	5	SEG HSS	Standard	4 x 27/160 x 80	8-9330-910500
	7	6	SEG HSS	Standard	4 x 27/160 x 80	8-9330-910600
	7	8	SEG HSS	Standard	4 x 27/160 x 80	8-9330-910800

### Segment-Saw blade HSS \*6

diameter	cut width	teeth quantity	saw blade-typ **	polish	qty x d1/d2 x d	order-no.
	8,3	5	SEG HSS	Standard	4 x 30/200 x 100	8-9331-010500
	8,3	6	SEG HSS	Standard	4 x 30/200 x 100	8-9331-010600



\*\* saw blade-types: VST = solid steel, HM = carbide, SEG = segment saw blade HSS

## RANGE HDM

HDM 1300-1311

### Segment-Saw blade HSS \*6

diameter	cut width	teeth quantity	saw blade-typ **	polish	qty x d1/d2 x d	order-no.
Ø 1320	9,3	4	SEG HSS	Standard	4 x 30/250 x 100	8-9331-320400
	9	5	SEG HSS	Standard	4 x 30/250 x 100	8-9331-320500
	9,3	6	SEG HSS	Standard	4 x 30/250 x 100	8-9331-320600

### Segment-Saw blade HSS \*6

diameter	cut width	teeth quantity	saw blade-typ **	polish	qty x d1/d2 x d	order-no.
Ø 1320	9	4	SEG HSS	Standard	4 x 30/250 x 100	8-9331-320400
	9	5	SEG HSS	Standard	4 x 30/250 x 100	8-9331-320500
	9	6	SEG HSS	Standard	4 x 30/250 x 100	8-9331-320600

### Segment-Saw blade HSS \*6

diameter	cut width	teeth quantity	saw blade-typ **	polish	qty x d1/d2 x d	order-no.
Ø 1430	9,5	3	SEG HSS	Standard	4 x 30/250 x 100	8-9331-430300
	9,5	4	SEG HSS	Standard	4 x 30/250 x 100	8-9331-430400
	9,5	5	SEG HSS	Standard	4 x 30/250 x 100	8-9331-430500
	9,5	6	SEG HSS	Standard	4 x 30/250 x 100	8-9331-430600
	9,5	8	SEG HSS	Standard	4 x 30/250 x 100	8-9331-430800

HDM 1400-1432

## SAW BLADE-TYPES

\*1

### VST HSS CN = Solid steel-Saw blade HSS CN

Universal solid steel-saw blade for generally structured steel, gray cast iron, middle NE-metals, tooth shape C, steam treated.

\*2

### VST HSS CN TIN = Solid steel-Saw blade HSS CN, Tin-coated

Specialised for steel tubes and profiles and NE-metals. Substantially higher endurances and feed rates and thereby more efficiency. No material welds. High surface hardness and optimal heat dissipation.

\*3

### VST POW = Solid steel-Saw blade HSS, Power 2000

Ideal for difficult applications like: thin-walled and double-walled tubes. Less noises and vibrations. Much longer endurances. No side-welds anymore, not even for difficult machinable materials. Material savings are between 10 - 15 kg tubes per after-polish by short sections.

\*4

### VST PER = Solid steel-Saw blade HSS, Performance 2000

For profiles. Solid material up to 50 mm intervention extent. Advantages: low feathering, longer endurances than TIN-coated saw blades, material savings, faster cutting rates possible (steel 1000N/mm<sup>2</sup> up to 30 Mtr/min)

\*5

### HM = Carbide - Saw blade

Special saw blade, either for steel or aluminium. Faster cutting rates, thereby short cycle times.

\*6

### SEG HSS = Segment-Saw blade HSS

Universal segment-saw blade for generally structured steel, gray cast iron, middle NE-metals, tooth shape C.

\*7

### SEG HSS TIN = Segment-Saw blade HSS, Tin-coated

Universal segment-saw blade for generally structured steel, gray cast iron, middle NE-metals, tooth shape C. Substantially higher endurances and feed rates and thereby more efficiency. No material welds. High surface hardness and optimal heat dissipation.

\*8

### VA-polished

Special teeth-polish for the processing of VA-material.



# ORIGINAL KALTENBACH TOOLS: USE AND PRODUCE

- ▶ SAW BLADES
- ▶ SAW BANDS
- ▶ DRILLING TOOLS
- ▶ CUTTING TOOLS
- ▶ FLAME CUTTER
- ▶ SHEAR UNITS

For further information and our foreign affiliates,  
please visit

**[WWW.KALTENBACH.COM](http://WWW.KALTENBACH.COM)**

Product videos:

**[WWW.YOUTUBE.COM/KALTENBACHGROUP](http://WWW.YOUTUBE.COM/KALTENBACHGROUP)**

Follow us on LinkedIn:

**[WWW.LINKEDIN.COM/COMPANY/KALTENBACH](http://WWW.LINKEDIN.COM/COMPANY/KALTENBACH)**



**KALTENBACH GMBH + CO. KG**

Blasiring 4

D-79539 Lörrach

Phone: +49 7621/175 - 0

E-Mail: [info@kaltenbach.de](mailto:info@kaltenbach.de)

[www.kaltenbach.com](http://www.kaltenbach.com)